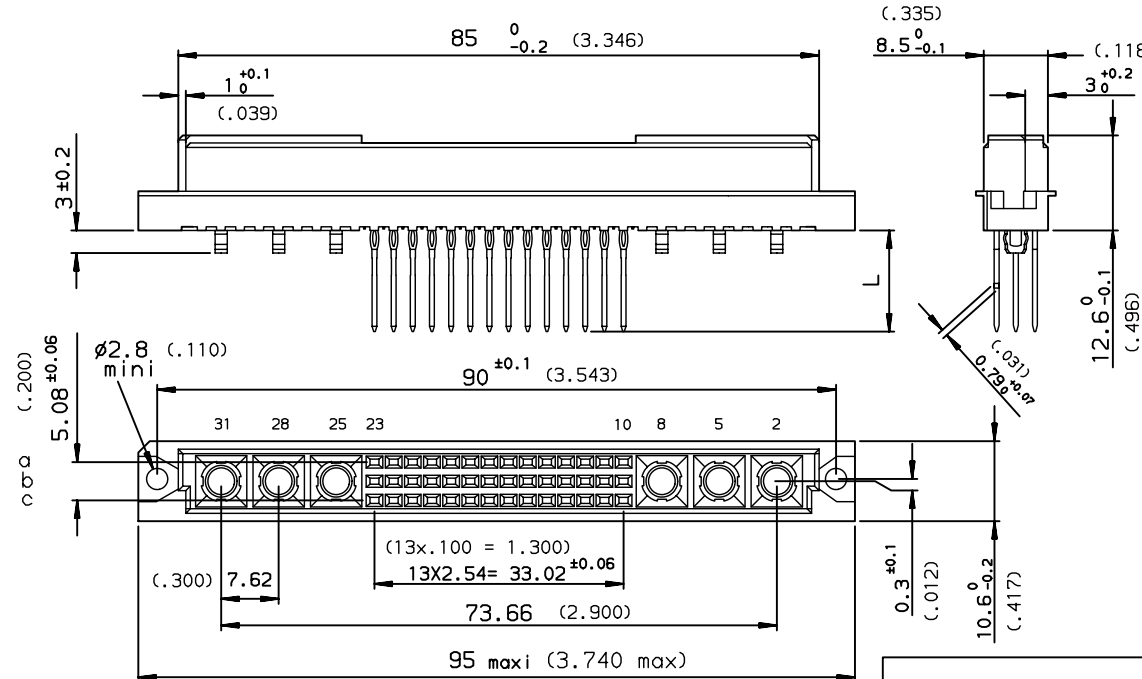
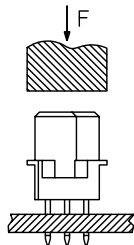


DIMENSIONS mm (inches)

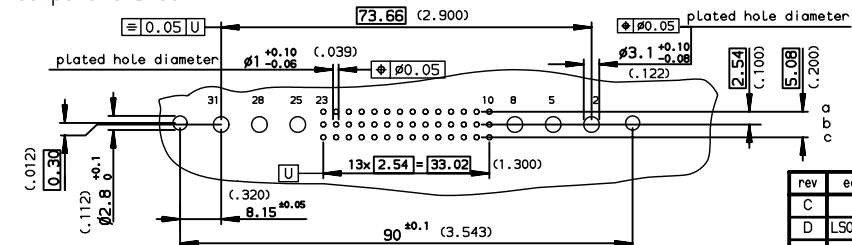


METHOD OF INSERTION ON THE PCB = FLAT ROCK



PCB DRILLING component side

PERFORMANCES AS PER DIN 41612



ELECTRICAL DATA (for signal contacts)

- Current at AMB. 1.5 A at 20° C / 1 A at 70° C
- I max 2A
- Contact resistance $\leq 20\text{m}\Omega$ according to DIN 41640 Teil 4 test 2a
- Insulation resistance >math>10^6\text{M}\Omega</math> according to DIN 41640 teil 7 test 3a
- TEST VOLTAGE according to DIN 41640 teil 21
- contact/contact 1000V eff (0.5 mA / 50 Hz)
- contact/ground 1550V eff (0.5 mA / 50 Hz)
- Press Fit termination resistance $\leq 1\text{ m}\Omega$

MECHANICAL DATA (for signal contacts)

- Mating Force 42 Cts : $\leq 40\text{N}$ (9 Lb) / 28 Cts : $\leq 26\text{N}$ (5.85 Lb)
- Unmating force 42 Cts : >math>\geq 6.5\text{N}</math> (1.45 Lb) / 28 Cts : >math>\geq 4.3\text{N}</math> (1 Lb)
- Mechanical endurance class 1 500 matings unmatings according to DIN41640 teil 21
class 2 400
class 3 50
- Press in insertion force per pin 180 N (40.7 Lb) max / 75 N (17 Lb) standard
- Material insulator Polyester thermoplastic UL94V0
- Material contacts Phosphor bronze
- Finishing contact surface Gold over Nickel
- Finishing termination Tin Lead
- Shock $\leq 40\text{ms}$ according to DIN 41640 Teil 14 test 6c
- Vibration class 1 10-2000Hz/20g according to DIN 41640 Teil 15
class 2 10-500Hz/5g
- Backpanel or PCB thickness: 1.6, 2.4 or 3.2 mm

ENVIRONMENTAL DATA

- Climatic category According to DIN 41612
- Corrosion According to DIN 41612

PART NUMBER 8609 FP 7 5-000-E3

PIN OUT	rows a-b-c	3	42
	rows a-c	4	28
NUMBER OF CONTACTS			
TERMINATION			
L = 13.10 ±0.20 (.515)	1 wrap		91
L = 17.10 ±0.20 (.673)	2 wraps		92
L = 3.00 ±0.20 (.118)	short post		94
PERFORMANCE CLASS			
DIN 41612 class 3			4
DIN 41612 class 2			5
DIN 41612 class 1			6

European Views

www.fciconnect.com		surface ISO 1302 ✓	tolerance std ISO 406 ISO 1101	projection	mm
TOLERANCES UNLESS OTHERWISE SPECIFIED					
Dr	LEGALLIC	1997/05/11	ANGULAR	size A3	Scale 1.5
Eng	LEGALLIC	1997/05/11	LINEAR	ECN LS07-0130	
Chr	LEGARE	1997/05/11	0.xx' ±2'	Product family	Spec ref -
Appr	LEGARE	1997/05/11		DIN	
FCj		title STRAIGHT FEMALE STYLE M		dwg no C-8609-0527	Rev. D
		catalog no		CUSTOMER	sheet 1 of 1

rev	ecn no	dr	date
C	-	HLE	1997/05/11
D	LS07-0130	HLE	2007/05/22
-	-	-	-
-	-	-	-
-	-	-	-
-	-	-	-